



Installation Instructions

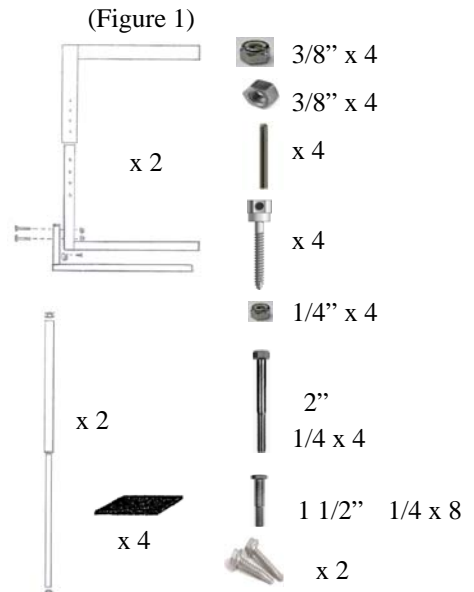
Thank you for purchasing the A/Ccessible Hanger, the Ultimate HVAC Hanging System! It allows easy access to equipment during service and installation. The quick, easy, Drain Pan Clasps along with Telescopic supports make installing the drain pan effortless and professional.

This complete hanger system is designed to hold most Residential/ Light Commercial (Horizontal) Gas Furnaces and Air Handling Units from 1 to 5 tons. The A/Ccessible Hanger can be installed in Attics, Garages, Ceilings and Basements. It's versatile design allows for Wall Mounting. (Refer to Instructions) The hardware included will be sufficient for most installations. The Maximum weight per individual A/Ccessible Hanger is 200 lbs. The average system will require the TWO hangers provided, allowing for a total maximum weight of 400 lbs. Multiple Hangers may be purchased and applied for larger weight requirements.

PROPERTY DAMAGE, SEVERE INJURY AND/OR DEATH COULD RESULT FROM FAILING TO FOLLOW THESE INSTRUCTIONS!

Step 1.

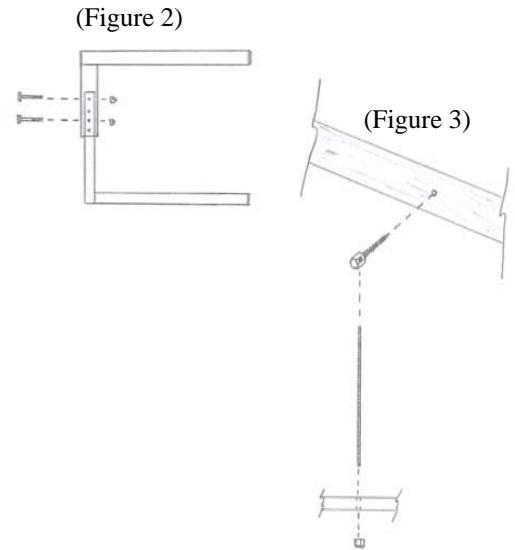
Carefully unpack the A/Ccessible Hanger parts from the box. Check parts list to insure all necessary parts are present. (Figure 1) Measure equipment size to determine the telescoping bolt alignment On the Hanger. Determine the weight of equipment being hung. Maximum weight per individual hanger system is 200lbs. The average system will require the two hangers provided, Allowing for a maximum total weight of 400 lbs. Determine the location and placement of the hanger system. *Be sure to adhere to local building code requirements. Once the weight and structure requirements have been met. Assembly can begin. Adjust telescoping vertical sections to the desired height for Equipment. Align bolt holes and place the two (2) 2 inch bolts provided In two of the four predrilled holes. Attach the (2) 1/4 inch lock nuts Provided to these bolts. Securely tighten. (Figure 2) Repeat this step for both upright Hanger sections.



Note: (4) Four of the 1/4 – 1 1/2\"

Step 2.

Measure and determine location to attach four (4) "Vertigo" side wood hanger bolts to support structure. Support Structure Examples: Rafters, Trusses, Joists, studs, etc. Install bolts by drilling (4) 3/16" holes into solid, approved structure. A 9/16" Socket and ratchet is used to tighten vertigo hanger bolts. *Helpful HINT:* A cordless drill with the appropriate socket adaptor works very well. Be careful to align holes with the 3/8 predrilled holes in the top of the A/Ccessible Hanger. (Located on 22" centers). (Figure 3) Attach all thread rod through all four of the "Vertigo" side hanger bolts provided. Attach 3/8 nuts to the all thread rod protruding through the top of "Vertigo" side hanger bolts and tighten. This ensures the all thread rod from loosening.



Installation Instructions Continued...

Step 3.

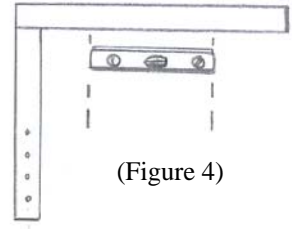
Feed all thread rod thru holes in top of A/Ccessible Hangers. Attach 3/8 lock nuts to all thread rod protruded through hangers. Extend excess all thread rod through the top of the "Vertigo" Hanger bolts. So that a few threads show thru the bottom of the attached lock nuts. (Figure 3)

(Figure 4)

Level hangers with (magnetic torpedo) level. Before cutting rod!

All thread rod may also be cut off with a saw.

The Hanger system is Now attached.



(Figure 4)

Step 4.

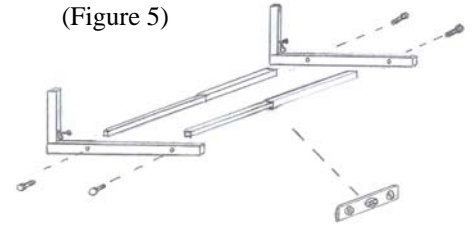
Attach telescoping drain pan supports to bottom support structure of The A/Ccessible Hanger. (Figure 5)

There are two 1/4 inch predrilled holes in each lower arm of the hanger. The drain pan supports telescope between the two hangers.

Attach four of the 1/1/2" bolts provided through the outside of the drain pan arms. Extend supports to desired length and align with holes. Affix each bolt to the tubing couplers located in the ends of the telescoping drain pan supports. Tighten securely. *Do Not over tighten!*

Check to ensure square supports are properly turned flat to allow for proper drain pan installation.

(Figure 5)

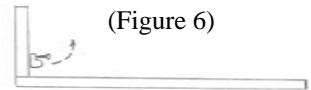


Step 5.

Check level of Hanger system and drain pan supports.

Adjust 3/8 Lock nuts to level hanger system. (Figure 5)

(Figure 6)



Step 6.

Attach Drain pan by sliding pan over telescoping support structure. Center pan on hanger system.

Lift each drain pan clasp one at a time to a 90 degree angle.

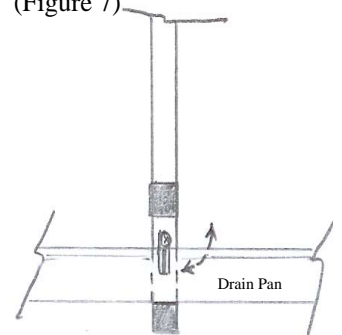
(Figure 6 &7)

Slide the pan under clasp while lifting the clasp up 90 degrees.

Push clasp down over edge of pan to a vertical downward position.

Repeat. Adjust pan if necessary. The drain pan is secured.

(Figure 7)



Step 7.

Install the four provided self sticking pads on the arms of the hanger.

Place the pads on the four corners of the equipment where the HVAC equipment will lay. (Figure 8)

This will keep equipment vibration down and keep the equipment from sliding on hanger arms.

Place desired HVAC equipment across the two hanger arms located 2 1/2 inches above the drain pan supports.

(Figure 8)



Step 8.

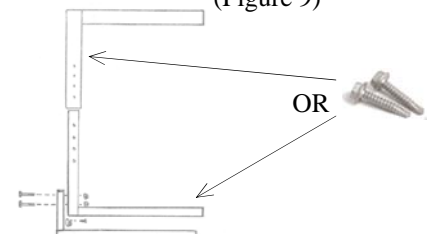
Secure Equipment to Hanger with provided Self tapping drill screws.

(Figure 9)

The optimal location to secure the equipment is in the rear of the hanger system. Simply Drill the self tapping screws into both rear vertical Supports through the inside of equipment.

If access is too difficult through the rear of the equipment, the drill screws may be applied on the front of the horizontal equipment supports.

(Figure 9)



Installation Instructions Continued...

Step 9.

After securing equipment to Hanger system and installing interior equipment items.

Leveling should be performed again.

Slight deflection of the front supports is normal after weight is applied.

Minor leveling adjustments can be made to the 3/8 lock nuts at the top hanger to accommodate for this.

Minor tilt toward drain is optimal.

Step 10. You've successfully installed the A/Ccessible Hanger System. Installation of equipment can continue safely without obstruction.

Wall Installation:

Follow steps above 1,4-10.

Remove and discard (2)- 2 1/2" bolts. (Save Lock Nuts!) Place 1" tube, telescoping it into the bottom of 1 1/4" tubing.

Align Holes and Insert extra (2)- 1 1/2" Bolts into the same holes. Affix lock nuts and tighten!

Repeat process for each side.

Determine the location and placement of the hanger system.

*Be sure to adhere to local building code requirements.

Drill appropriate pilot holes in 1 1/2" vertical members and affix to wall with proper approved bolts as required.

*Washers (not provided) may be used on wall anchor bolts to level hangers.

Wall installation is complete.



Thank you for choosing the A/Ccessible Hanger system!

For Questions or Comments: ACCESSIBLEHANGER.COM